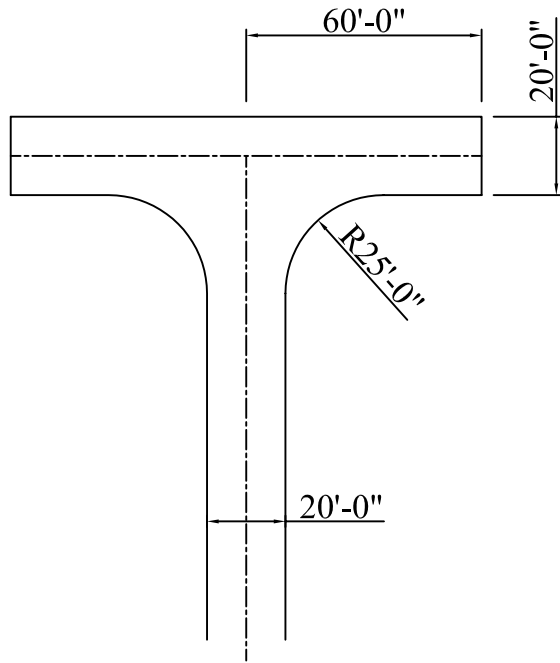
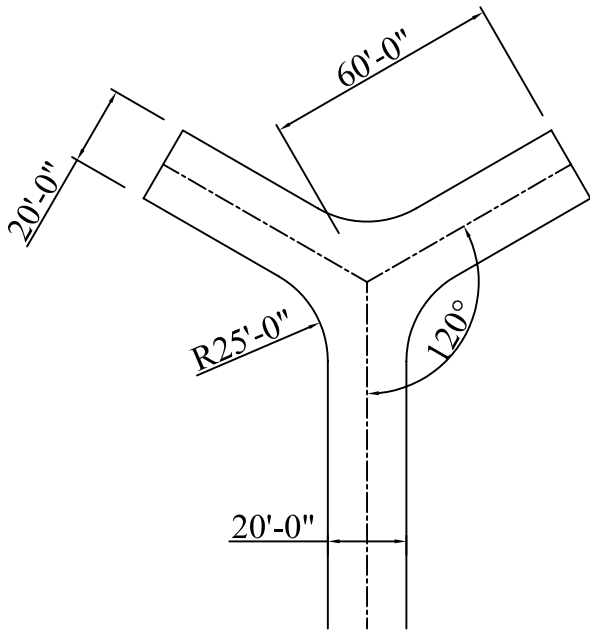


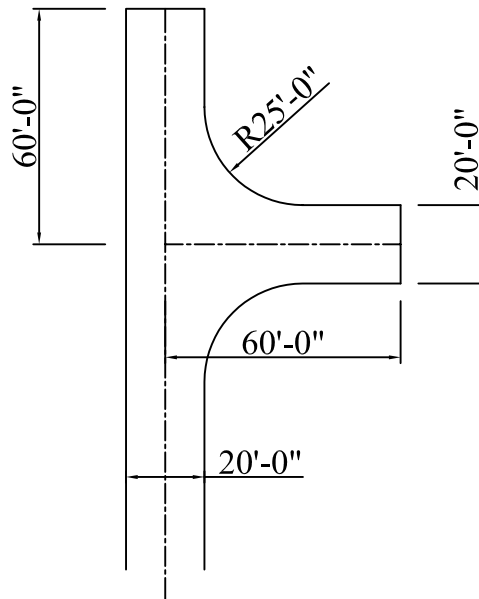
Cul-de-Sac



Hammerhead Tee



Wye



Alternate Tee

Frederick County OLS/DFRS  
Acceptable Turnarounds for Emergency  
Response Vehicles

All Access Roads and Turn Arouns shall be a minimum of 20' wide and shall be designed and maintained to support the imposed loads of fire apparatus. Road widths may be reduced to 16' for minor subdivisions.