

## "Standard" Dry Well Specifications

*NOTE: A standard dry well simply has to have 36 cubic feet of storage area.  
The following specifications meet this requirement.*

*However, the length, width and depth may be modified to meet specific design requirements.*

-- Dry Well shall be 3-FT Wide by 4-FT Long by 4-FT Deep. *(Or as specifically designed)* .

An in-line debris guard (similar in design to the *Leaf Chute*) shall be installed in the downspout to prevent blockage of the dry-well.

-- Downspout discharge shall be carried through PVC SCH-40 SOLID pipe that extends 1-FT into the dry well before transitioning to Perforated PVC SCH-40.

-- A surcharge (overflow) pipe shall be installed in the downspout and be discharged onto a splash block above ground.

-- The Perforated pipe shall terminate approximately 1-FT short of the outer wall and be capped.

-- There shall be an anchored observation well of PVC SCH-40 Perforated pipe extending from the bottom of the drywell to 1-FT above grade\*

-- There shall be a cleanout adaptor glued to the top of the observation well with a cleanout plug installed. (*\* Cleanout shall be between 6-IN and 12-IN above finish grade*) .

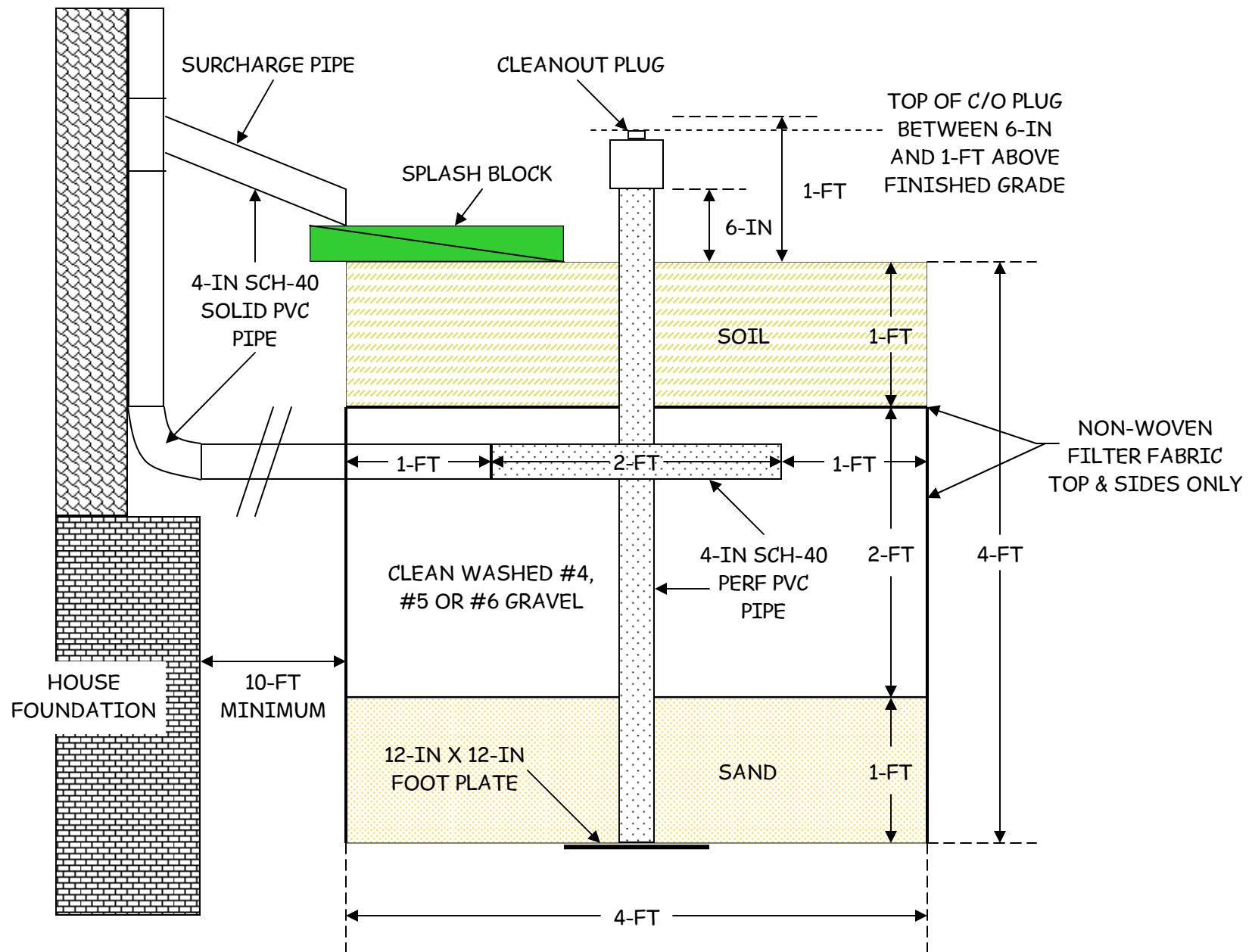
-- The sides shall be wrapped with non-woven filter fabric.

-- There shall be a 1-FT sand layer on the bottom of the drywell.

-- The resulting gravel filled chamber will be filled with clean washed #4, #5 or #6 aggregate to 1-FT below finished grade.

-- A layer of non-woven filter fabric shall be placed on top of the gravel.

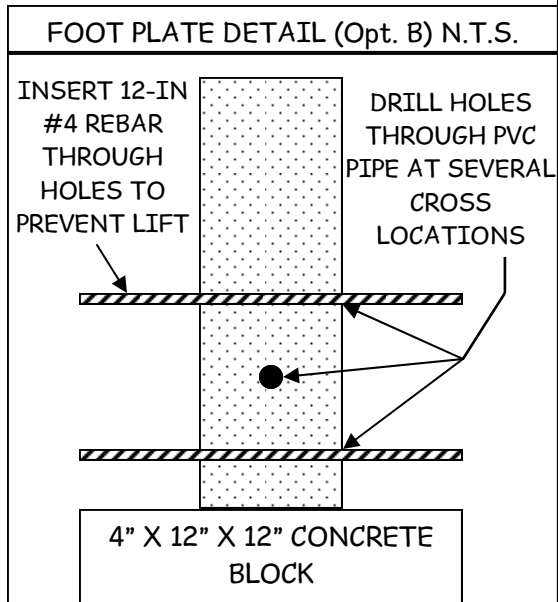
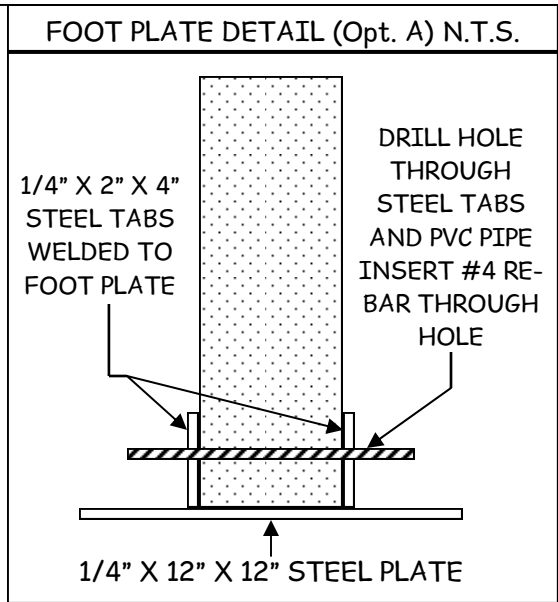
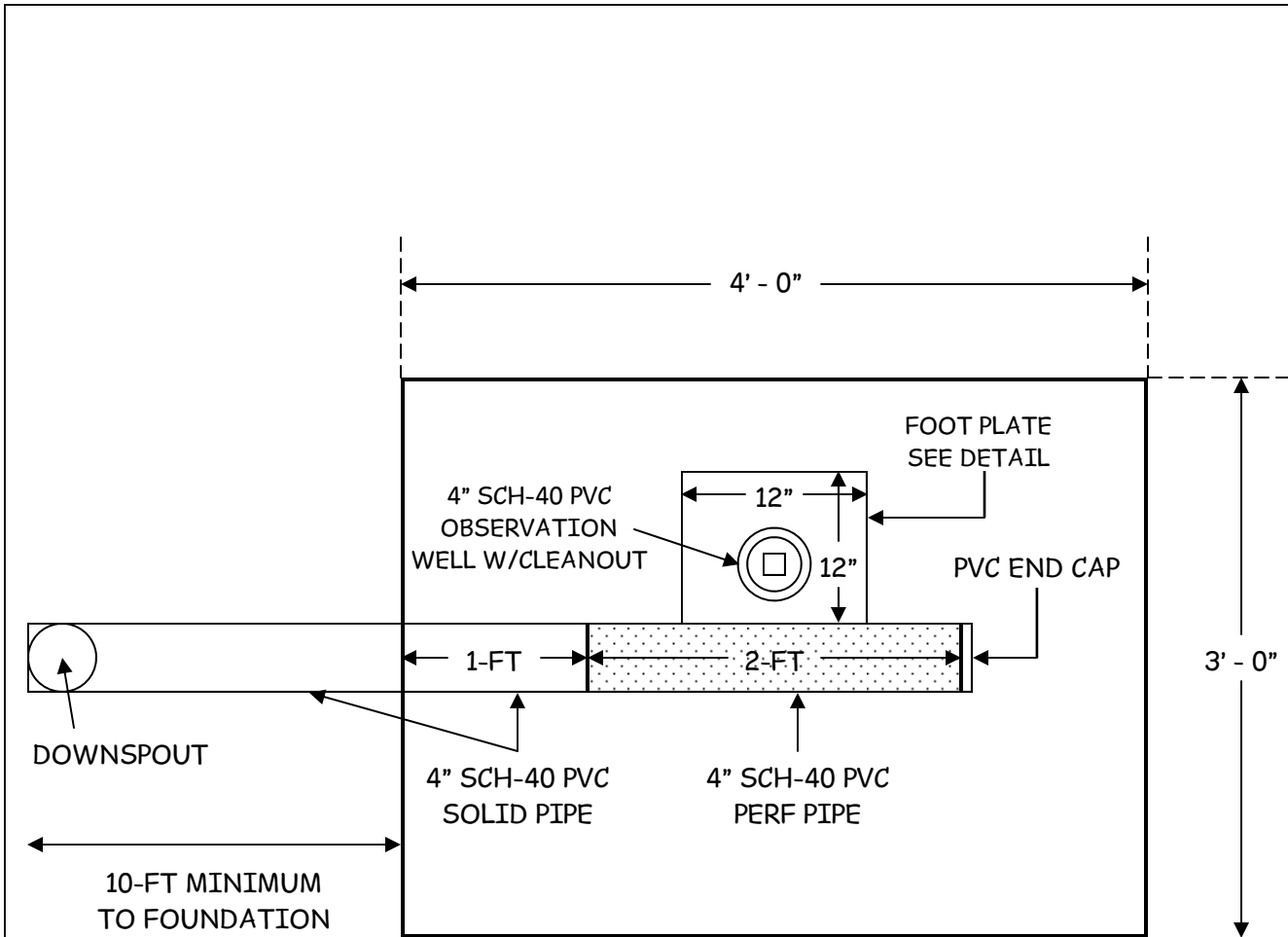
-- The remaining 1-FT shall be filled with soil up to finish grade and stabilized.



**STANDARD DRY WELL  
SPECIFICATIONS**

**SECTION A-A  
SCALE: 1-IN = 1-FT**

**FREDERICK COUNTY,  
MARYLAND**



**STANDARD DRY WELL  
SPECIFICATIONS**

**PLAN VIEW  
SCALE: 1-IN = 1-FT**

**FREDERICK COUNTY,  
MARYLAND**

# LEAF CHUTE

Leaf Chute is fitted at the bottom of the downspout, directly above the ground pipe. Water flows straight through while leaves and debris are washed out onto the ground keeping your ground pipes flowing freely.



-Antique White-

Part # WT35CHUT

Produced from **High-density polyethylene (HDPE)**

[click for spec. sheet](#)

[click for color chart](#)

[click for installation guide](#)

